

**Series 6, fully-integrated dishwasher,
60 cm
SMV6HMx01I**



Optional accessories

SGZ0BI02 : decorative strips stainless steel 81,5cm
 SGZ1010 : inlet and outlet hose extention
 SGZ8BI00 : Connection rail for divided furniture
 SMZ2014 : Rack insert for stemware dishwasher
 SMZ2056 : Attachment door, stainless steel
 SMZ5003 : Retractable hinge f. high corpus dimens.
 SMZ5100 : Vario-cutlery basket

#IndianKitchenKaDishwasher: cleans oily masala stains from utensils and makes life hassle-free.

- Remote control allows you to control your dishwasher via Home Connect App wherever and whenever you want.
- Remote monitoring enables you to track your dishwasher via Home Connect app wherever and whenever you want.
- Speed on Demand provides perfect cleaning results with reduced washing time even after the cycle starts.
- Tab Counter enables you to track your remaining dishwasher tablets and notifies when they run low.
- **Favourite programme:** personalized function by just one touch.

Technical Data

Water consumption : 9.0 l
 Total annual energy consumption 220 days : 187 kWh
 Total annual water consumption 220 days : 1980 l
 Built-in / Free-standing : Built-in
 Removable top : No
 Door panel options : Not possible
 Height of removable worktop : 0 mm
 Height of the appliance : 815 mm
 Adjustable feet : Yes - all from front
 Maximum adjustability feet : 60 mm
 Adjustable plinth : Both horizontal and vertical
 Net weight : 34.5 kg
 Gross weight : 36.3 kg
 Connection Rating : 2400 W
 Fuse protection : 10 A
 Voltage : 220-240 V
 Frequency : 50; 60 Hz
 Length electrical supply cord : 175.0 cm
 Plug type : India plug (16 Ampere)
 Length inlet hose : 150 cm
 Length outlet hose : 190 cm
 Hidden heating element : Yes
 Water protection system description : Triple water protection 24h
 Child safety devices : No
 Water softener : Yes
 Top basket type : mid
 Adjustable upper basket : Rackmatic 3-stage
 Bottom basket type : mid
 3rd Rack : 3rd Rack 1.0
 Optional accessories : SGZ0BI02, SGZ1010, SGZ8BI00, SMZ2014, SMZ2056, SMZ5003, SMZ5100
 Included accessories 2 : Vapor barrier plate
 Number of place settings : 14
 Dimensions of the product (HxWxD) : 815 x 598 x 550 mm
 Dimensions of the packed product (HxWxD) : 868 x 663 x 675 mm



Series 6, fully-integrated dishwasher, 60 cm SMV6HMx01I

#IndianKitchenKaDishwasher: cleans oily masala stains from utensils and makes life hassle-free.

Baskets and Racks

- Rackmatic 3-stage Basket: Adjustable upper rack
- 2 cup shelves in top basket
- 4x flip tines in lower basket
- 2x flip tines in upper basket
- Cutlery Drawer: 1.1

Features

- Home Connect - IOT enabled remote controlling & monitoring
- Integration with: Google / Alexa voice assistance, IFTTT, Fitbit/Apple/Android smart watches, Etc
- Additional Cutlery Drawer
- SpeedPerfect+
- Glass Protection Technology
- AquaSensor, Load sensor
- EcoSilence Drive
- DosageAssist
- Additional Top shower

Specifications

- 15 Place Settings
- Energy consumption: 0,849 kWh
- Water consumption: 9 litres
- Noise level: 42 dB
- Dimensions (HxWxD): 81.5 x 59.8 x 55 cm

Programmes

- 6 programmes: Eco 50°C, Auto 45-65°C, Intensive 70°C, Express 65°C, Silence 50°C, Custom programme

Special Options

- Intensive Zone
- Pretreatment
- Half Load
- SpeedPerfect+
- Remote Start

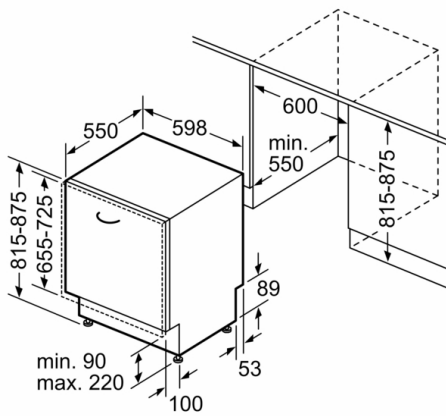
Other features

- Programme remaining time indicator
- Time delay: 1 - 24 hr
- LED salt refill indicator
- LED rinse aid refill indicator

Safety

- Door Latch

Series 6, fully-integrated dishwasher, 60 cm SMV6HM01I



measurements in mm

